

INFINITILINE[®] GUTTER

Peace of mind
never looked so good.



Performance
+ aesthetics
= great design

INTRODUCING INFINITILINE®

A well designed home is much more than just looks – good design is about performance, as well as aesthetics. The products you choose should be no different – they should look great while performing at a high level when you need them most.

That's where Stramit's InfinitiLine® gutter comes in.

The revolutionary InfinitiLine® gutter features an architectural finish that also stands up to Australia's harsh conditions.

Boasting an understated finish with concealed slots, the gutter also dissipates more than 1.5 litres of rainwater per metre, per second. That's a lot of water being moved away from your home when Mother Nature demands.

It's also fully compliant with the 2019 National Construction Code for added peace of mind.



Create a sleek, continuous line around the home

- Features concealed slots and a continuous groove.
- Hides any unsightly gutter features.
- Creates architectural lines to enhance the façade of the home.

Invest in performance

- Dissipates rainwater at more than 1.5L/second, per metre.
- Fully compliant with NCC2019 requirements*.
- Feel protected knowing you're compliant and well protected from overflow damage.

Don't pay for extra components

- No fuss, simple installation.
- No hidden costs with no spacers needed.

Complete the story with Stramit's quality rainwater, roofing and walling range

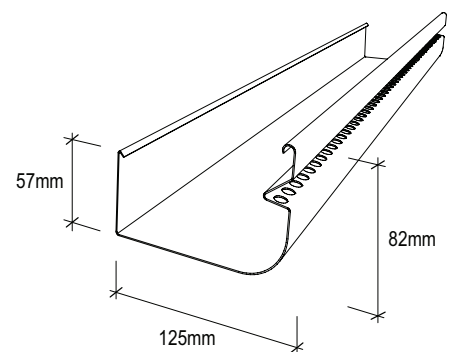
- Seamlessly integrate with Stramit's full product range and COLORBOND® steel's range of designer colours finishes.
- Know you're compliant* and you have a high performing system once combined with our other products.

* If installed correctly and used in combination with other compliant roofing and rainwater systems.

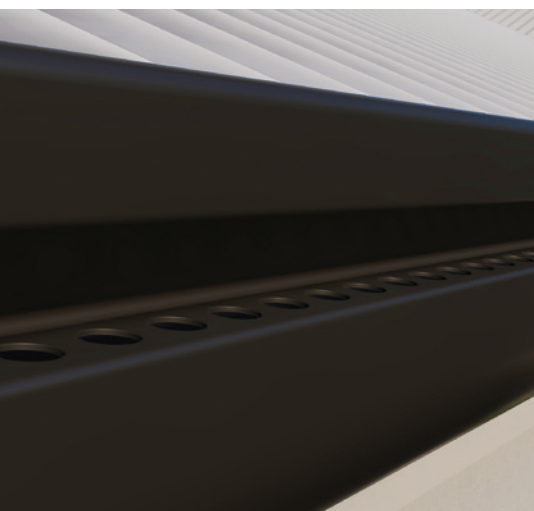
INFINITLINE®



Available NSW, ACT.



For technical and installation information, please refer to the Stramit Rainwater Products New South Wales - Product Technical Manual.



COLORBOND[®] STEEL

The COLORBOND[®] steel range of designer colours offers a classic and contemporary palette to enhance the beauty of every build.

CLASSIC COLOURS

CLASSIC CREAM [™]	PAPERBARK [™]
PALE EUCALYPT [™]	COTTAGE GREEN [™]
MANOR RED [™]	DEEP OCEAN [™]
WOODLAND GREY	NIGHT SKY [™]

CONTEMPORARY COLOURS

SURFMIST [™]	SHALE GREY [™]
EVENING HAZE	DUNE [™]
GULLY [™]	JASPER [™]
COVE [™]	MANGROVE [™]
WINDSPRAY [™]	WALLABY [™]
BASALT [™]	IRONSTONE [™]
TERRAIN [™]	MONUMENT [™]

Colorbond[®]

The COLORBOND[®] steel colour swatches and images shown have been reproduced to represent actual product colours as accurately as possible. However, we recommend checking your chosen colour against an actual sample of the product before purchasing, as varying light conditions and limitations of the printing process may affect colour tones. COLORBOND[®] and [™] colour names are registered trade marks of BlueScope Steel Limited. [™] colour names are trade marks of BlueScope Steel Limited. ABN 16 000 011 058.

Many colours and finishes are kept in stock for fast manufacture and delivery. However, some colours and finishes require longer lead times and, in some cases, minimum order quantities. Check with your Stramit Building Products representative before ordering. Note that not all products are available in all finishes.