

## PERSONAL ACCESS DOORS

FOR SHEDS, GARAGES AND SELF STORAGE SOLUTIONS



*The  
ideal  
access  
solution*

Our solutions  
combine strength,  
functionality and  
high performance.



Pre-Hung Personal Access Door  
in COLORBOND® steel in the  
colour Monument® Matt



## PERSONAL ACCESS DOORS

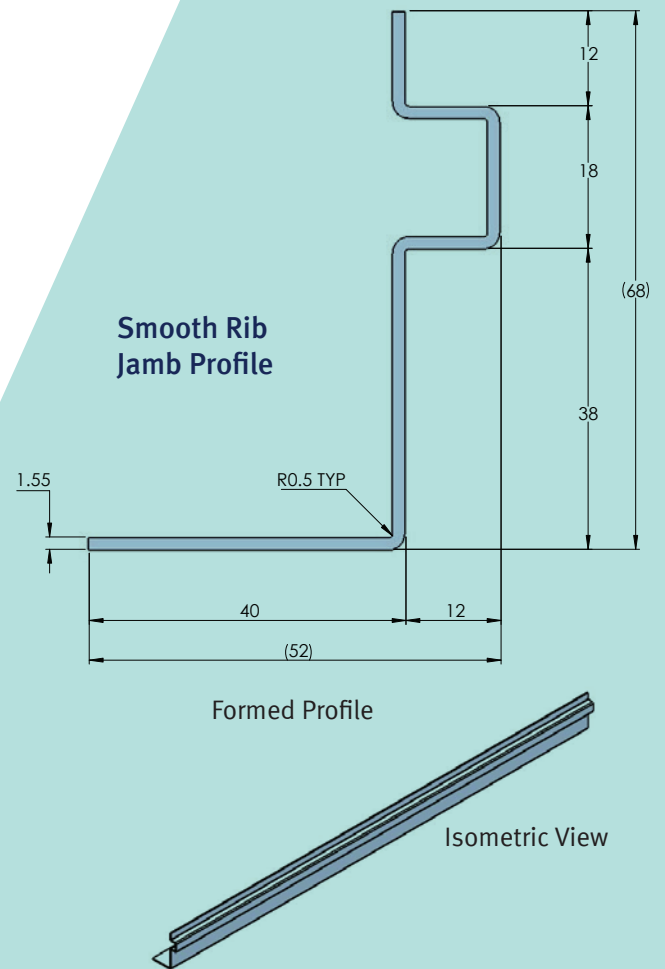
With a focus on design and innovation, Taurean® Door Systems has created a new benchmark in personal access doors for a variety of applications. Through an extensive development process, our solutions combine strength, functionality and high performance.

Taurean® Personal Access Doors also come with certified wind ratings for the Pre-Hung design within domestic environments.

And with a unique jamb design that maximises strength, you will have peace of mind that your building is secure.

### Features

- Available in both Standard (Single Leaf) and Pre-Hung (Leaf, Door Jamb and Door Hardware) versions
- Stocked in ZINCALUME® steel, COLORBOND® steel classic and contemporary colour range as well as COLORBOND® steel Matt (Monument® Matt, Basalt® Matt and Surfmist® Matt)
- Certified wind rating for Pre-Hung doors to N4/C1 (>1200mm from edge) in domestic applications
- Quality door hardware
- 180° opening
- Galvanized and powder coated square hollow section frame on the Pre-Hung version
- Unique jamb design to provide maximum strength of installation
- Other door sizes and types available upon request



Our end-to-end service means we've got you covered at every stage of the manufacturing and delivery process.



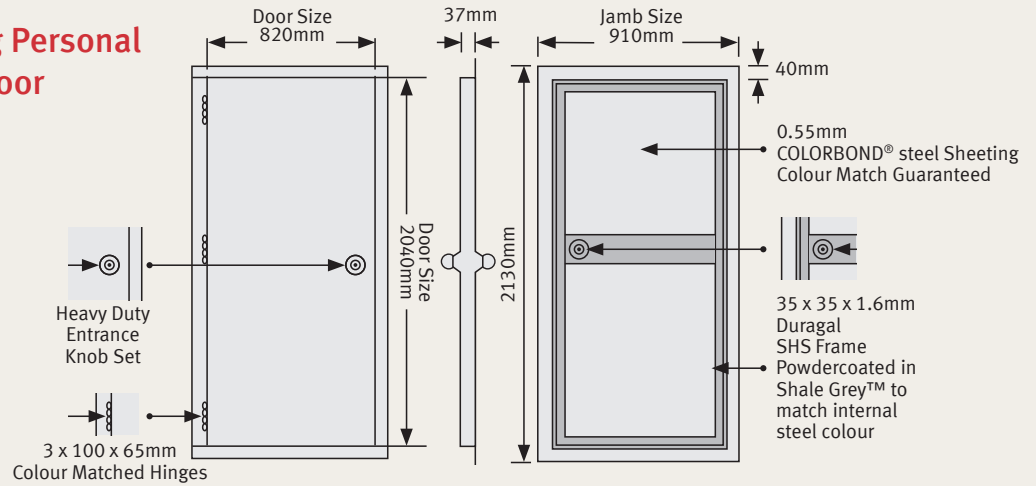
Flexible solutions for self storage applications



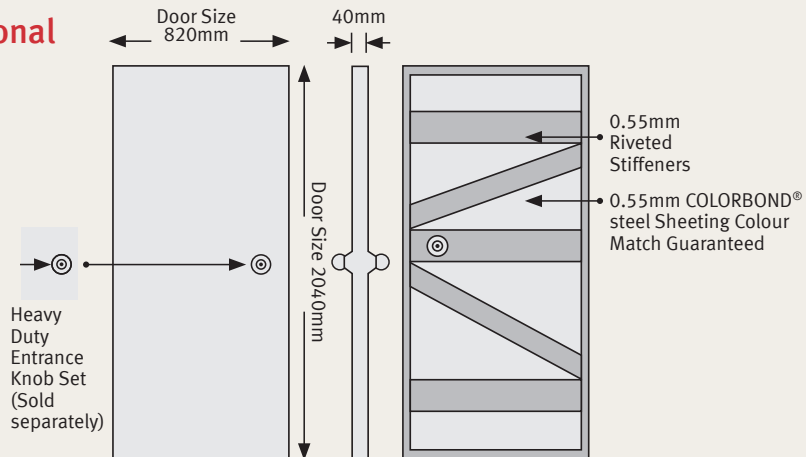
## Specifications

- Taurean® Door Systems standard offer is a single skin metal clad door:  
2040mm high x 820mm wide x 37mm thick and  
2040mm high x 920mm wide x 37mm thick
- Metal cladding is 0.55mm thick COLORBOND® steel
- Outward swing is standard
- Heavy duty Knob/Knob Lockset as standard (with Pre-Hung Door only), Lever/Knob available upon request
- Chrome cabin hook supplied as standard (with Pre-Hung Door only)
- Pre-Hung version comes with three, 100 x 65 x 2mm high quality colour matched hinges

### Pre-Hung Personal Access Door



### Standard Personal Access Door



## Warranty

Taurean® Door Systems provide a 12 month warranty. Excluded from the warranty are salt corrosion, damage from any environmental conditions, accidents, fair wear and tear and failure to properly install, use or maintain the product. For more details please refer to the full warranty document at [taureands.com.au](http://taureands.com.au)



Taurean® Door Systems Unit 3/1464 Ferntree Gully Road, Knoxfield, Victoria 3180

P: 1800 778 658 • E: [customerservice@taureands.com.au](mailto:customerservice@taureands.com.au) • W: [taureands.com.au](http://taureands.com.au)

