

TAUREAN DOOR SYSTEMS

Classic Range Sectional Door

Installation Instructions



Customer Service (03) 9721 – 8366 www.taureands.com.au

Extreme safety warning: Safe practices must be observed when working at heights, lifting doors and adjusting door spring tension.

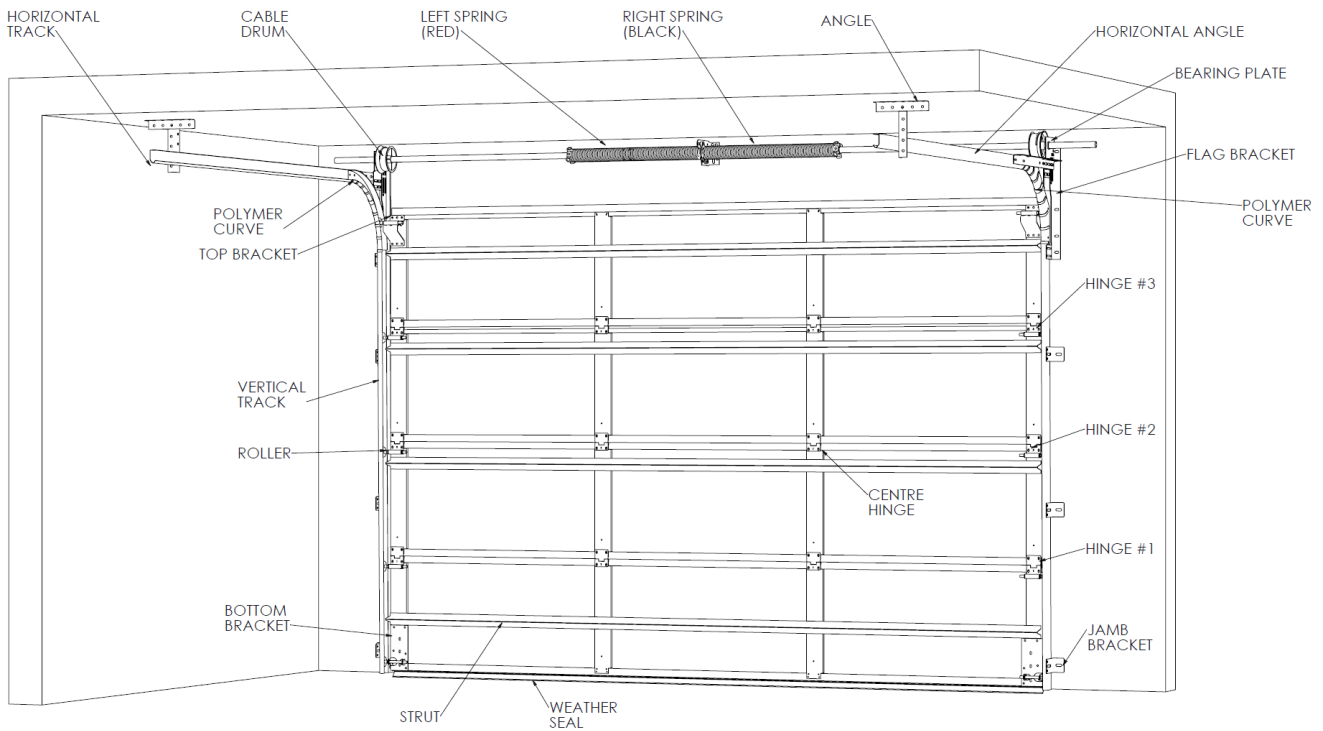


Figure 1

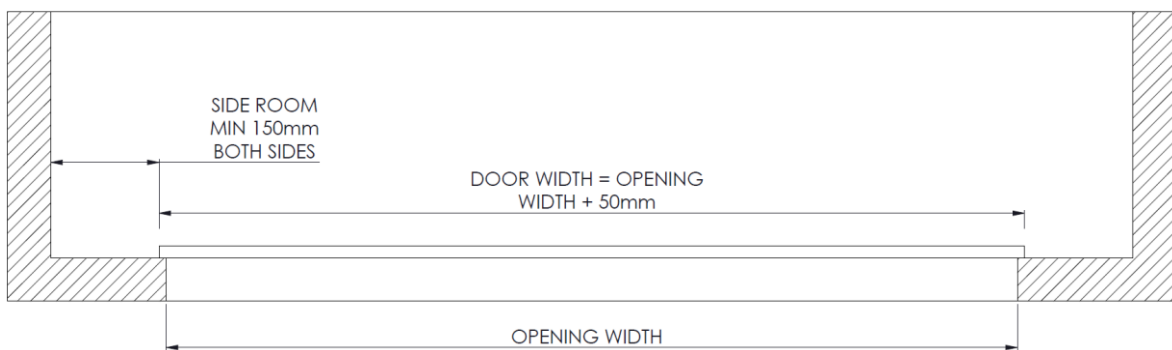


Figure 2

1. Check opening height and door size. (Figure 2)
 - a. 25 -30mm overlap on each side and >10mm at top.
 - b. At least 150mm side room required

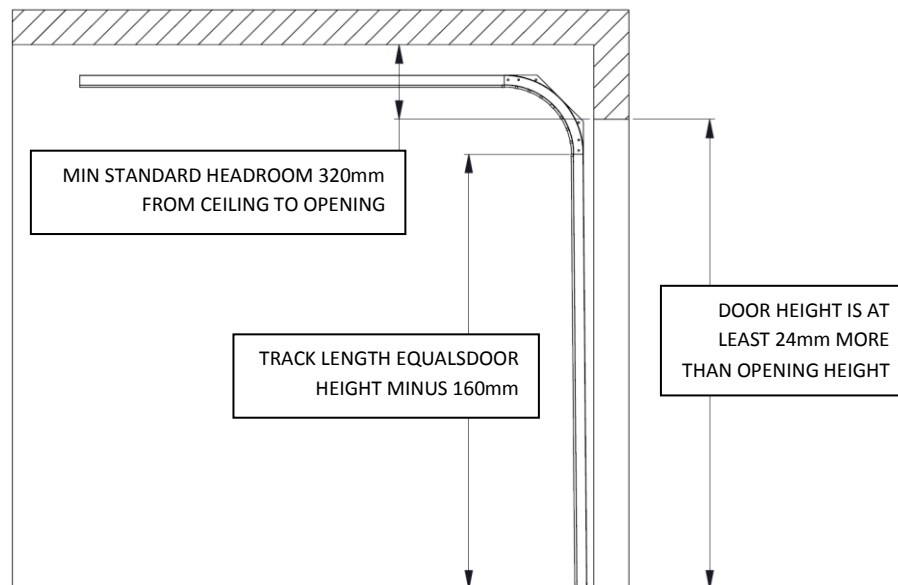


Figure 3

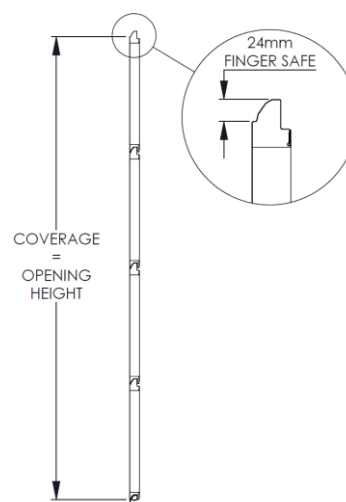


Figure 4

2. Check headroom clearance, standard (with motor) is 320mm from opening.
 - a. If measuring from top of door: 300mm minimum clearance headroom standard. Low head room system requires minimum 230mm from ceiling to top of door.
 - b. Guides are supplied in standard sizes and may need to be cut to size. Cut vertical track at bottom to 160mm less than door height. (Figure 3)
 - c. If using low headroom guides and kits (for less than standard clearance), cut track to 280mm less than door height. Follow low headroom kit instructions.
 - d. When referring to door coverage, this does not include the 24mm of profiled at the top or the flexible weather seal. (Figure 4)

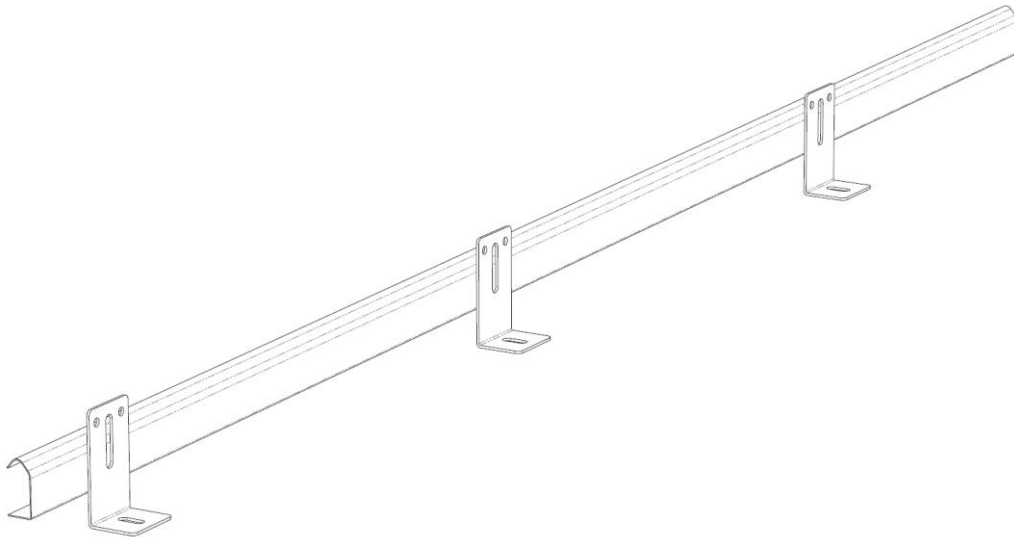


Figure 5

3. Attach jamb brackets guides with small carriage bolts and attach. Ensure that the flat edge of guide is closest to the wall/structure. (Figure 5)
 - a. Up to 2400mm opening height: 2 brackets per side
 - b. Over 2400mm opening height: 3 brackets per side

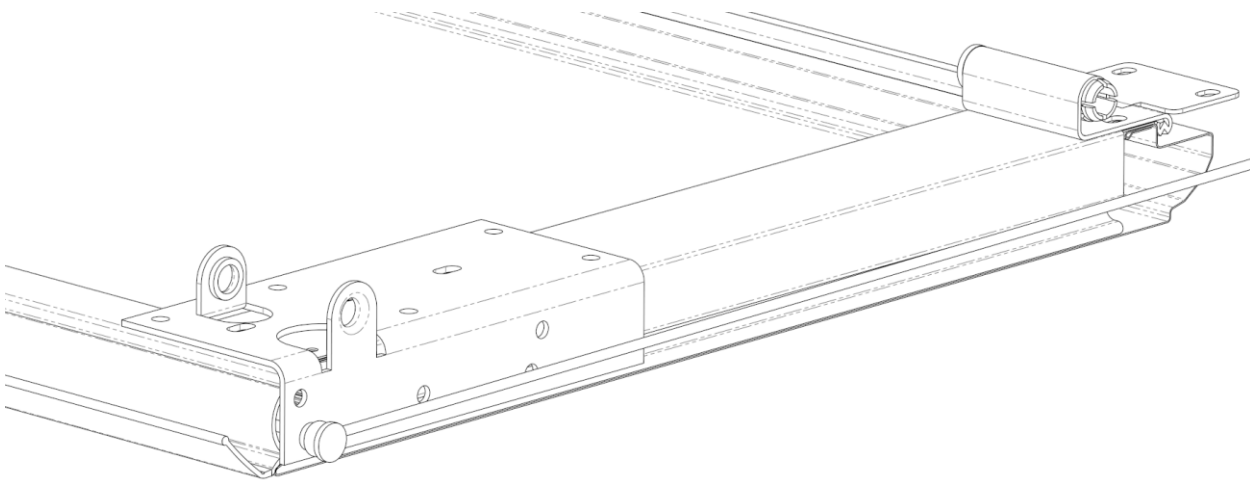


Figure 6

4. Prepare bottom door panel (the one with the weather seal).
 - a. Place face down on padded saw horses, or other padded stand.
 - b. Attach bottom cable brackets to each bottom corner using metal screws (Figure 6)

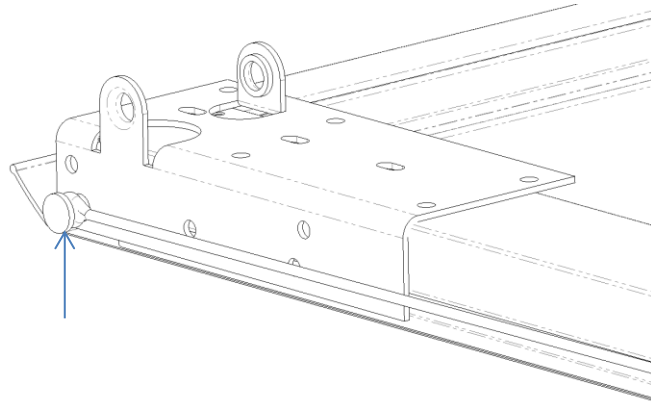


Figure 7

c. Attach loop in lifting cables over milford pin (Figure 7).

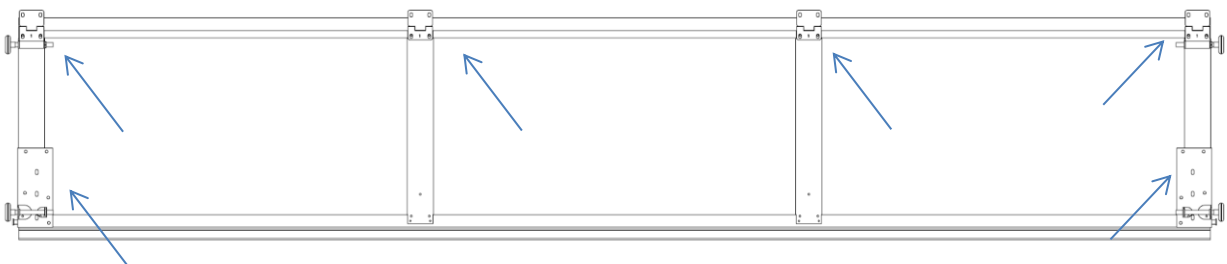


Figure 8

d. Attach #1 End hinge (Figure 9) on each top corner of bottom panel and centre hinges to other stiles. (Doors with double end-stiles to have an extra end hinge at each position)

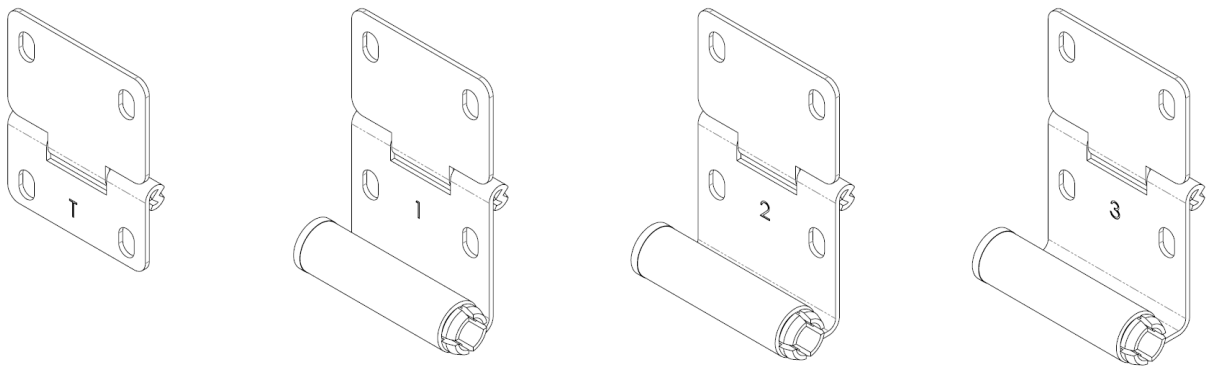


Figure 9

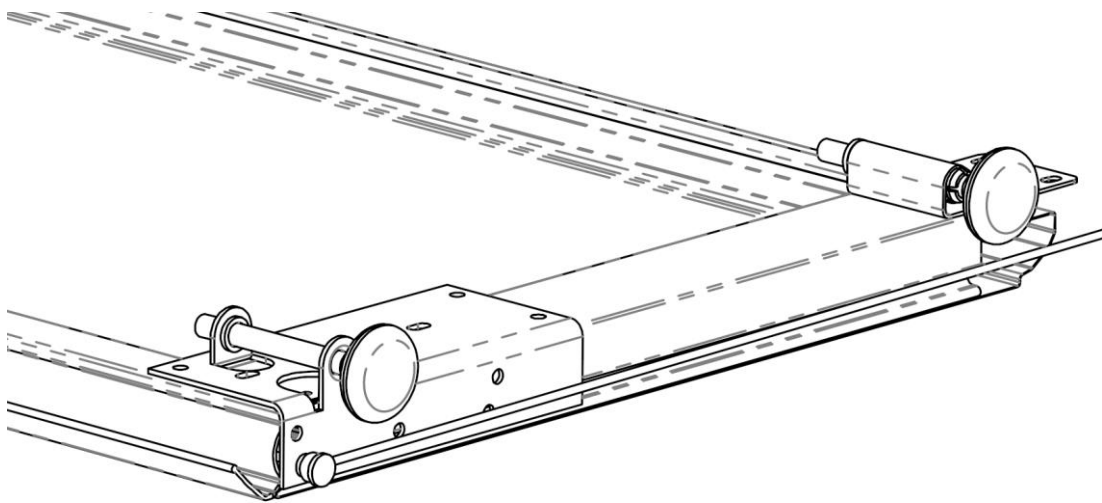


Figure 10

e. Slide rollers into each bottom bracket and end hinge. (Figure 10)

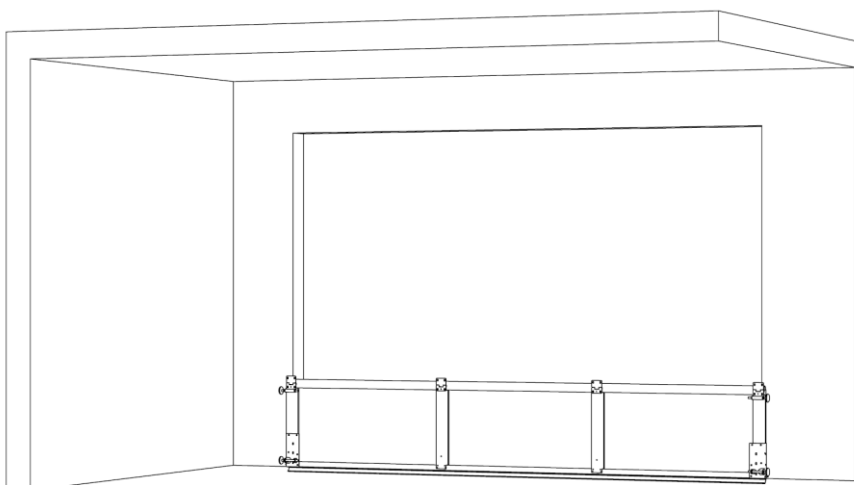


Figure 11

5. Stand panel upright behind door opening ensure it is central with 25mm over lap each side. (Figure 11)

If floor is not horizontally level it is important to use packers under panel to level.

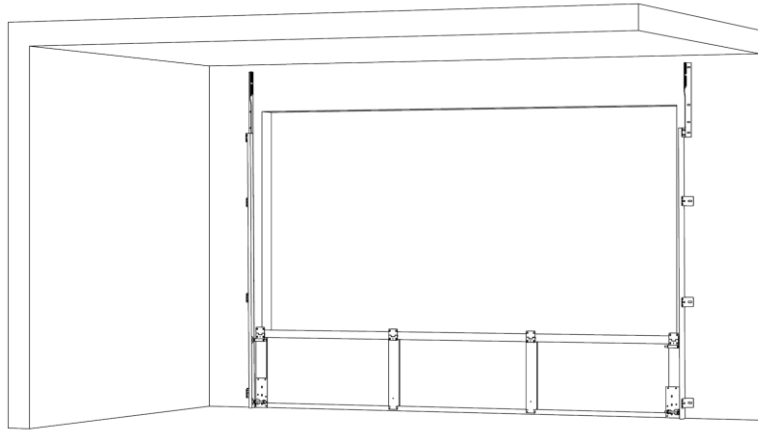


Figure 12

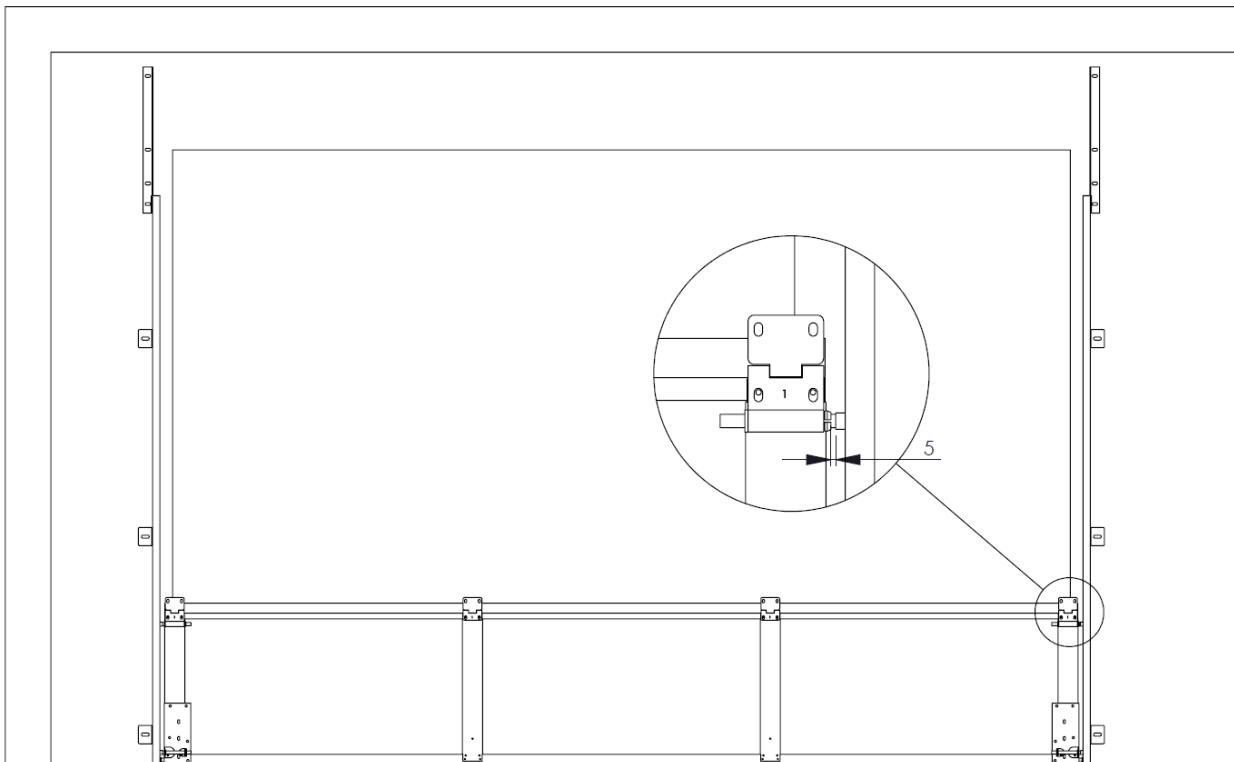


Figure 13

6. Attach pre-assembled vertical guides to wall (Figure 12)
 - a. Slide each track over rollers, holding guide so there is a 5mm gap between hinge and shoulder on roller axle.
 - b. Use spirit level to ensure guide is level. (Figure 13) Fix jamb brackets only.

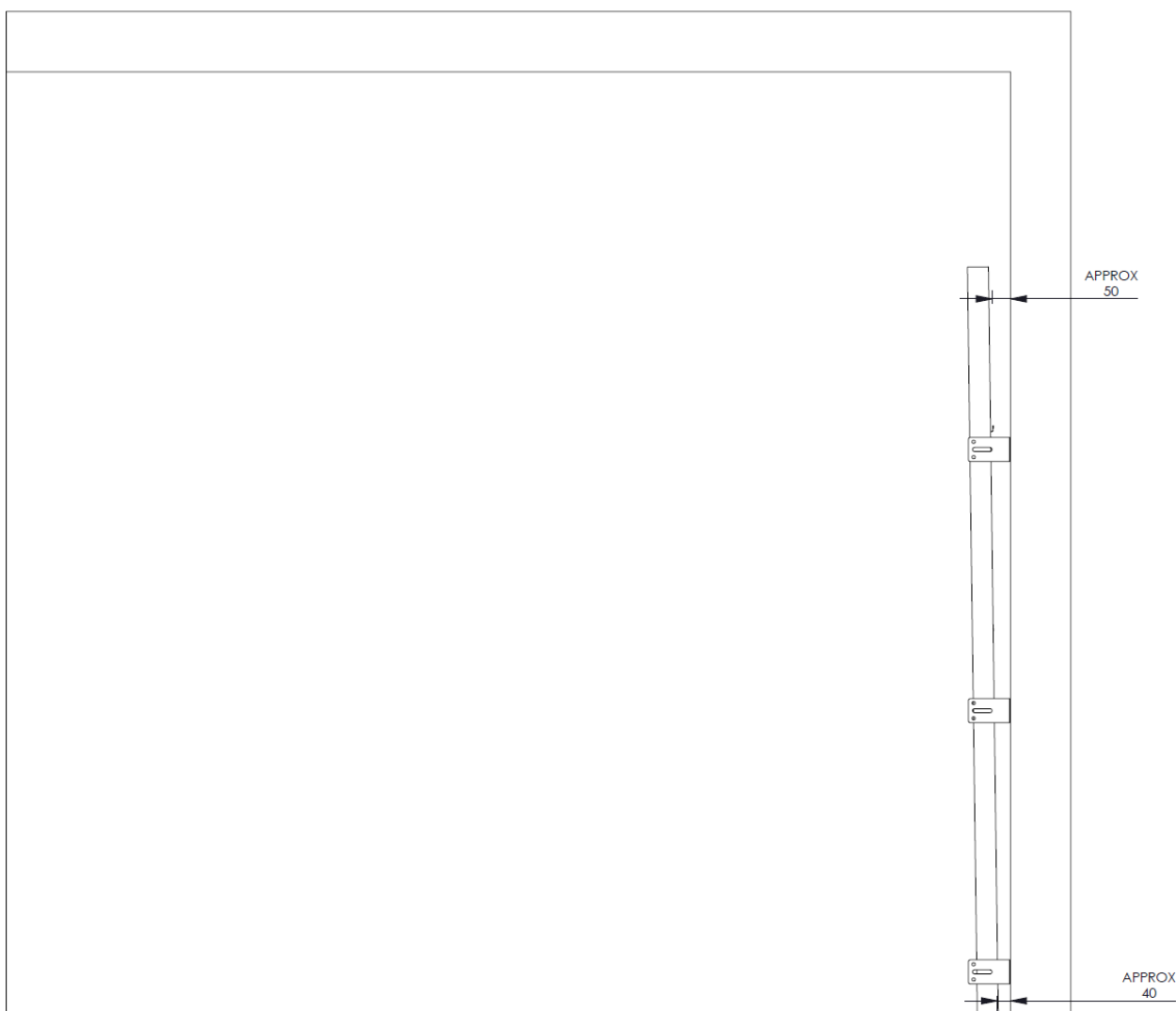


Figure 14

- c. Adjust guides so there is approx. 40mm between wall and guide at bottom and 50mm at top (Figure 14). Ensure when panel is pushed forward it is clear of the garage opening, i.e. brickwork/masonry wall.
7. Attach end hinge to top corner of next panel and centre hinges on other stiles. Place strip of corflute packaging between panels before attaching hinges. Lower next panel onto bottom panel via rollers and tracks, align panels and fix off hinges to join panel.
 8. Repeat Step 7 for rest of the panels. (Figure 15)

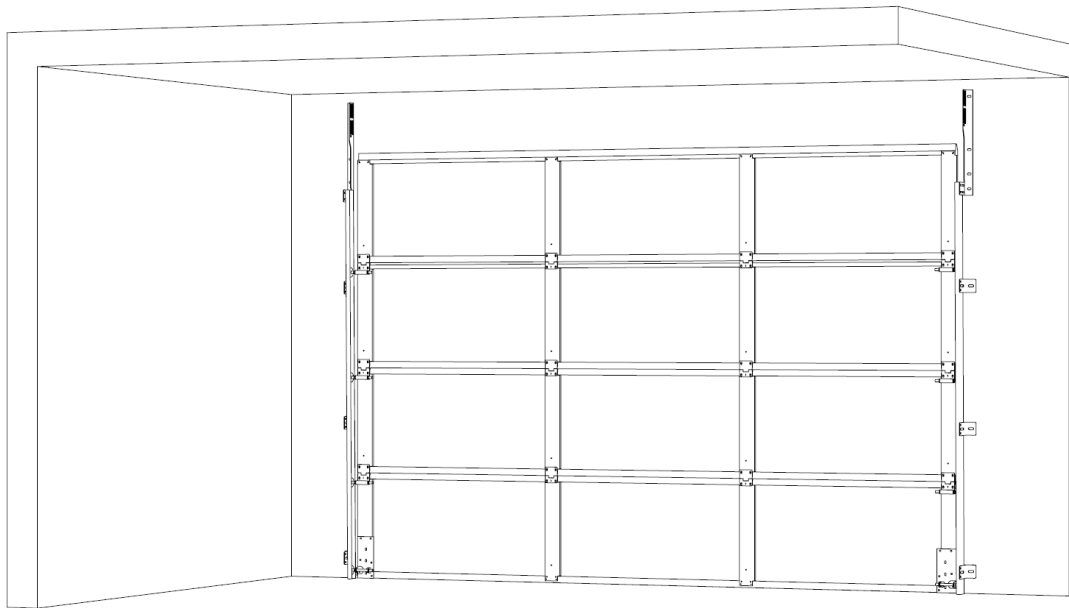


Figure 15

9. Fixing flag brackets: check tracks are at same height and 5-10mm gap is even between hinges and shoulders of roller axles then fix off brackets to wall.

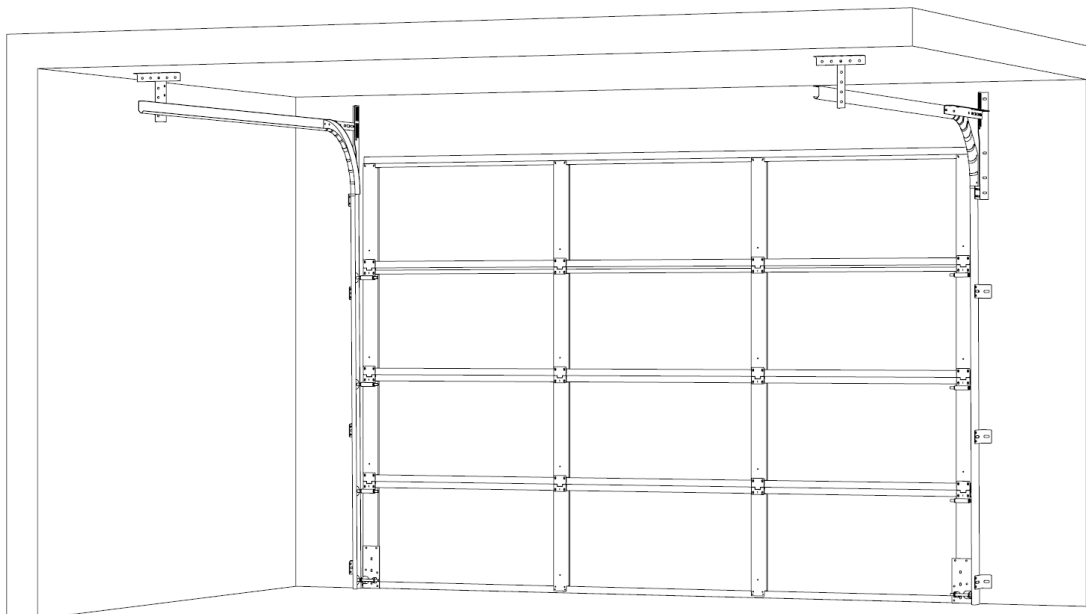


Figure 16

10. Affix horizontal tracks:
 - a. Attach horizontal angles to horizontal tracks using carriage bolts.
 - b. Bolt track to polymer curve, and polymer curve to flag bracket, ensure horizontal tracks and vertical tracks are aligned and the horizontal is level. (Figure 16)

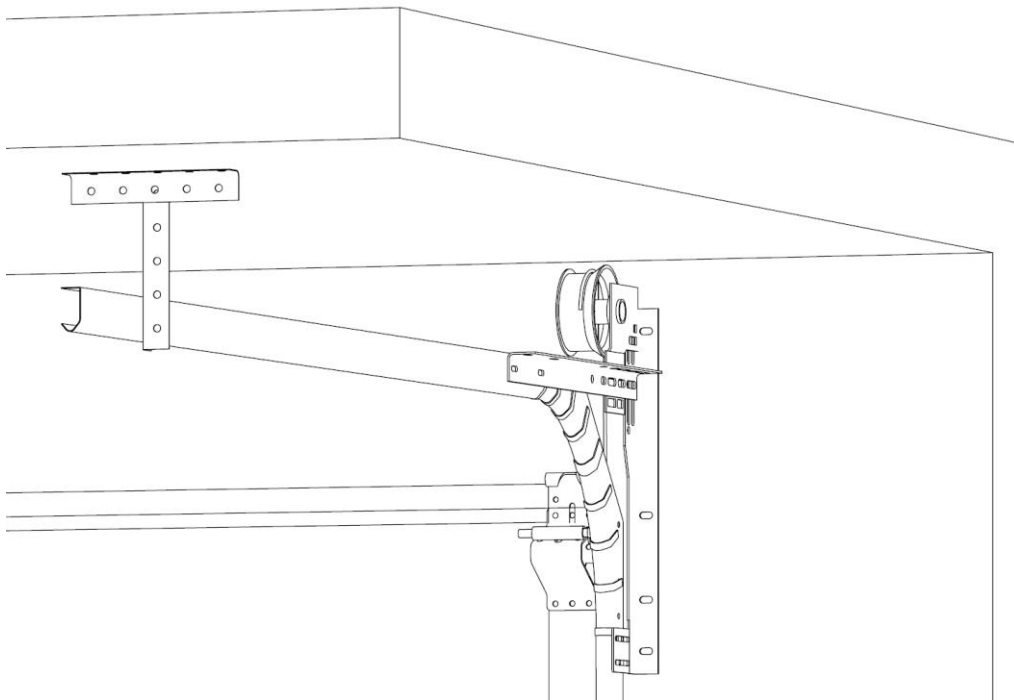


Figure 17

- c. Secure horizontal track approx. 2400mm back using angle off the ceiling or brackets off side walls. (Figure 17)
- d. Before bracing tracks ensure they are square to the opening and level. Measure diagonally from flag bracket to the end of horizontal tracks. Ensure both sides are the same to within 5mm and fix off. (Figure 18)

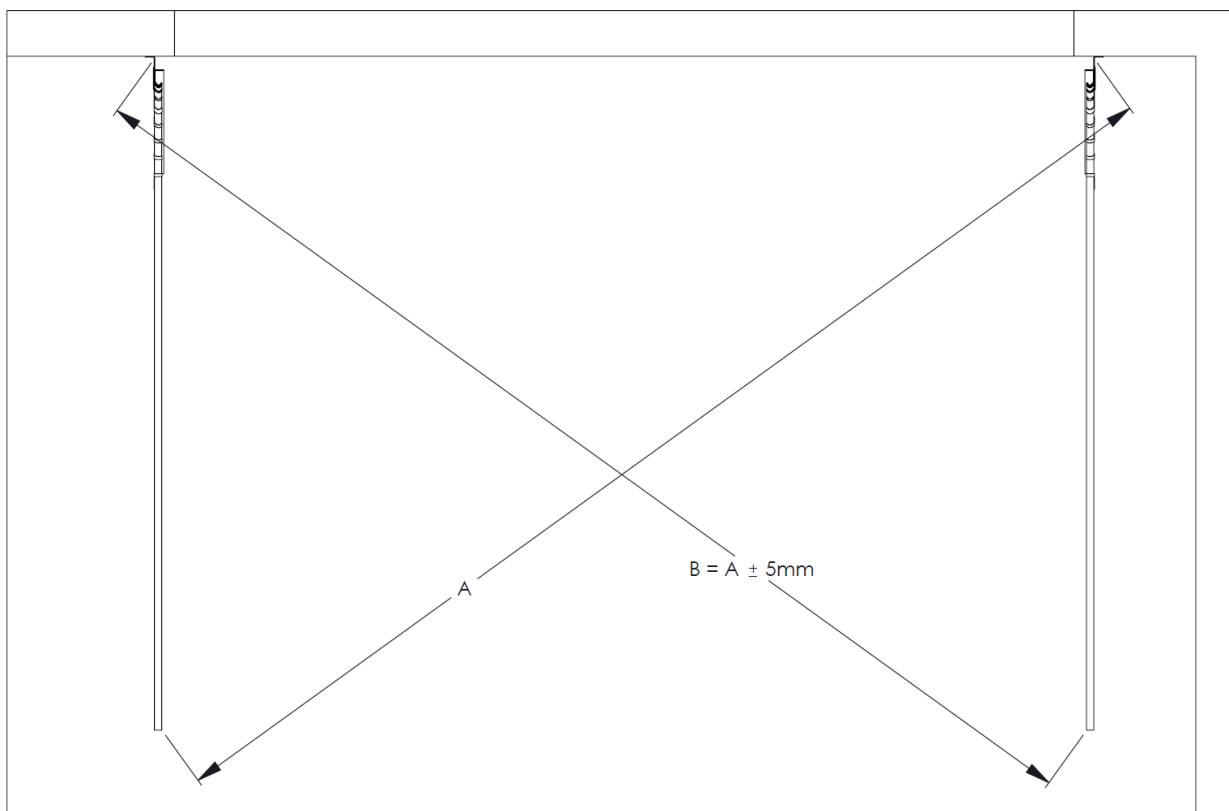


Figure 18

11. Raise top panel onto other panel in tracks, fix top brackets to top corner and adjust sliding bracket so there is 5-8 mm between panel and wall. (Double end-stile doors to have extra top bracket at each position). Attach remaining hinges.
12. Attach any struts to back of panels. Refer to (Figure 1) for strut positions. Attach bottom panel strut just above bottom bracket, and other struts just below the roller wheel.
 - 0 – 3599W: NO STRUTS
 - 3600 – 4399W: 1 STRUT PER DOOR (attach to top panel only)
 - 4400 – 5299W: 2 STRUTS PER DOOR (attach to top and bottom panels)
 - 5300 – 6050:W 1 STRUT PER PANEL

13. Assemble torsion system (complete with bearing plates): (Figure 19)

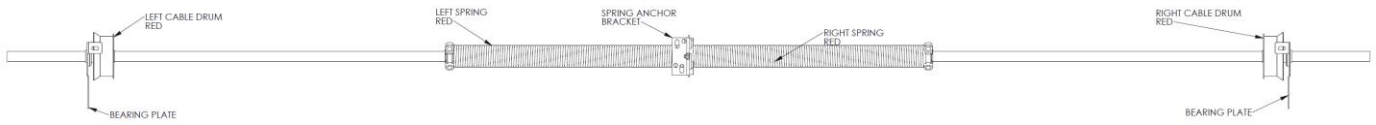


Figure 19

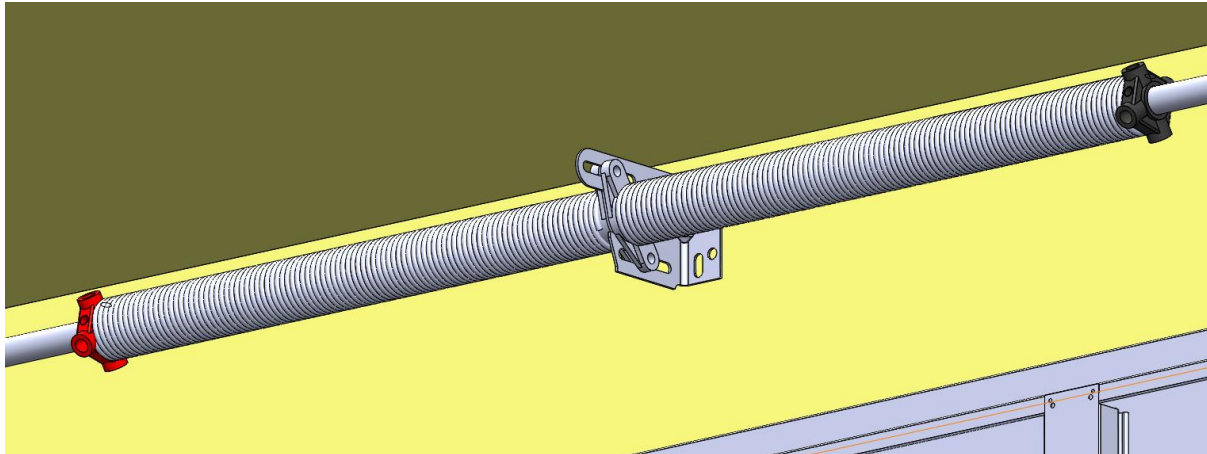


Figure 20

14. Raise torsion system to inside of horizontal angle and flag bracket. When standing in the room looking out, the RED drum and RED spring end cap will be on your LEFT. (Figure 20)

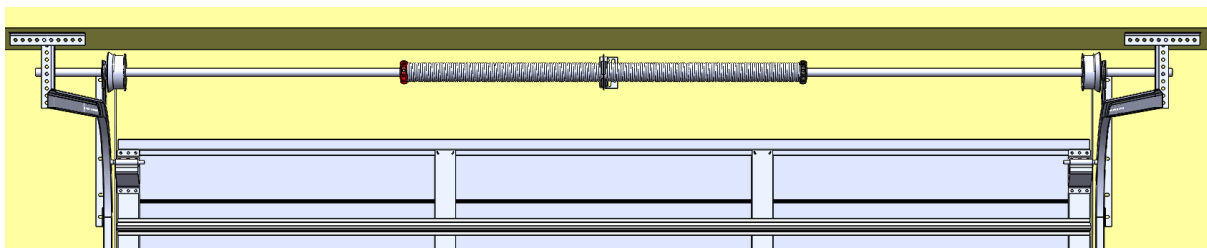


Figure 21

15. Bolt spring anchor bracket to lintel 100 – 200mm off centre to allow for motor mount. Ensure bracket is affixed to solid fixing. (Figure 21)

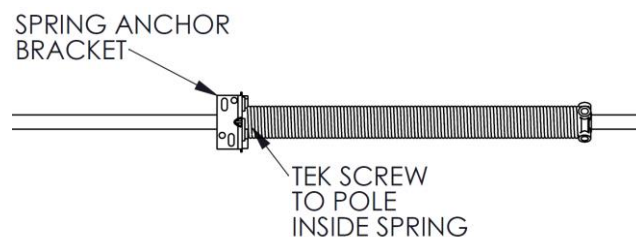


Figure 22

16. Single spring doors need a bolt or screw installed in the pole next to the spring anchor bracket on each side to stop the pole moving sideways. (Figure 22)

17. Attach cables:

- a. Thread cables up between door and track – L/H (RED) side first
- b. Feed cable between wall and cable drum and insert cable in slot on outside
- c. Lay cable over outside groove of drum, turn drum to tighten cable and tighten bolts.
Ensure drum is against side bearing plate.
- d. Repeat on R/H (BLACK) side
- e. Remove winding bar
- f. Ensure cable tension is identical each side

18. WARNING

Springs under tension may cause damage or injury if handled incorrectly. Door must always be closed when adjusting tension. Springs must be tensioned in the direction they are wound. Use only AGDA design-approved winding bars.

19. Spring tensioning is a potentially hazardous step and should only be attempted by a competent tradesperson. The procedure is as follows:

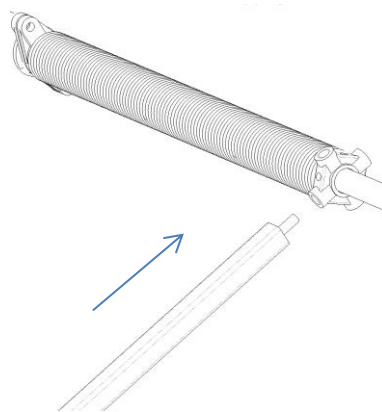


Figure 23

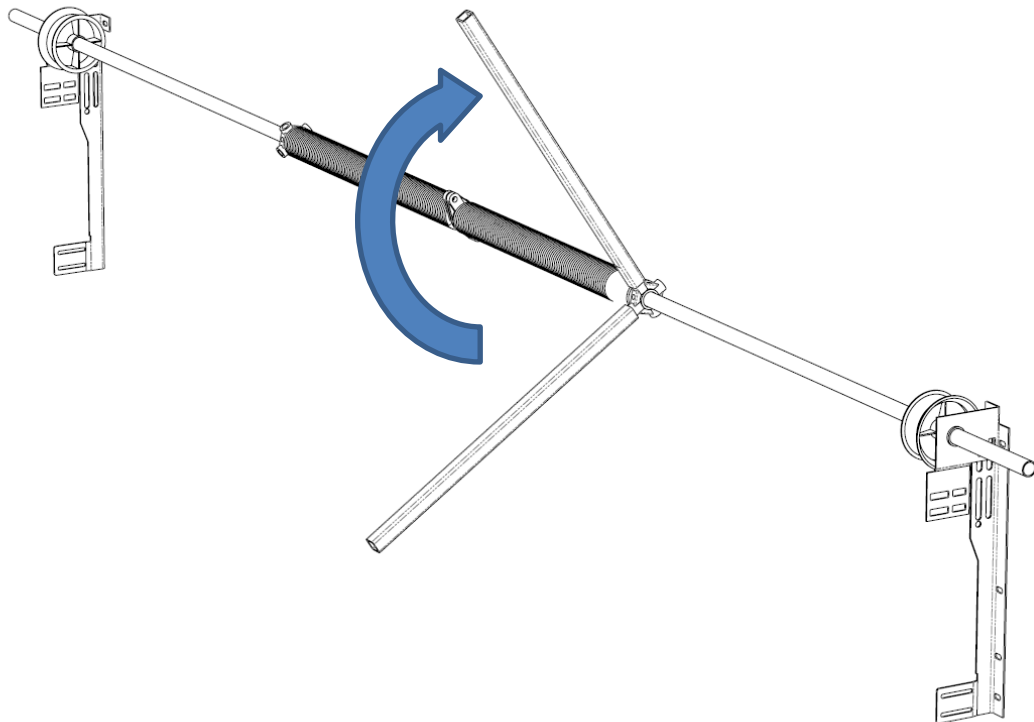


Figure 24

- g. Insert winding bar in end cap (Figure 23) and raise $\frac{1}{4}$ of a turn (Figure 24)
- h. Insert other winding bar and raise $\frac{1}{4}$ of a turn. Alternate winding bars to continue adding $\frac{1}{4}$ turns until tension achieved.
- i. Keep count of $\frac{1}{4}$ turns, remembering that one full turn is four $\frac{1}{4}$ turns

COMMON HEIGHTS	FULL TURNS	$\frac{1}{4}$ TURNS
2485	8.5	34
2280	8.0	32
2130	7.5	30

- j. Use painted lines on springs to count spring turns
- k. Tighten bolts on end cap and leave winding bar in end cap

20. Tension other spring if door has 2 springs and apply light coating of silicone spray to springs.

21. Attach all warning labels and stickers.

22. Operate door by hand slowly, checking that:

- door falls slightly to the floor in closed position
- door is balanced throughout its travel and travels freely
- door sits neatly at lintel height in open position
- tracks are square – gaps between panels and tracks are even

- when door is 75 % open, bottom panel is level
- cables are tight when door is fully open
- spring tension is correct
- gap between door and wall is uniform. Ensure panels do not hit wall.

© 2013 Stramit Corporation Pty Limited ABN 57 005 010 195 A member of the Fletcher Building Group™ and® are trademarks of Stramit Corporation Pty Limited trading as Taurean Door Systems.

IMPORTANT NOTICE AND DISCLAIMER

The information contained within this brochure is intended for general use and information only. Before application in a particular situation, Stramit recommends that you obtain appropriate independent qualified expert advice confirming the suitability of product(s) and information in question for the application proposed. While Stramit accepts its legal obligations, be aware however that to the extent permitted by law, Stramit disclaims all liability (including liability for negligence) for all loss and damage resulting from the direct or indirect use, or reliance on, the information provided in this brochure.