

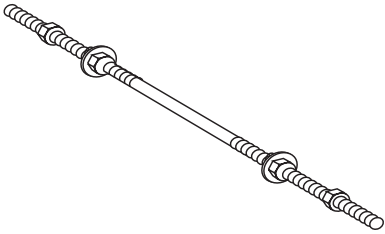
Accessories

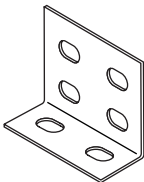
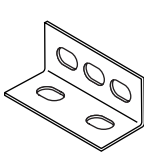
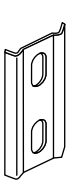
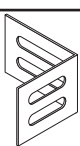
Customer _____

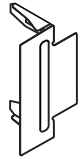
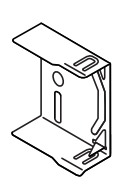
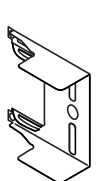
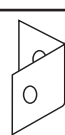
Job Address _____

Page _____ Of _____ Area _____

Drafting Office	Order No.	Order Date	Plan No.
Instructions		Delivery Date	Roof Pitch

ASSEMBLY	ASSEMBLY PREFIX	DIAM	QTY	O/ALL LENGTH O/A = PURLIN CENTRE + 80MM	MARK No.
 <p>Tie Rod (Prefix BTR)</p>					

ACCESSORY	CODE	QTY
 <p>General Purpose Brkt</p>	BGPB100GA	
	BGPB150GA	
	BGPB200GA	
	BGPB250GA	
 <p>Angle Connector</p>	BAC 100	
	BAC 150	
	BAC 200	
	BAC 250	
 <p>Clamp Plate</p>	BCP100GA	
	BCP150GA	
	BCP200GA	
	BCP250GA	
 <p>Raking Girt Brkt</p>	BRGB100	
BOLTS	CODE	QTY
M12 x 30 STD Z/P and GALV	PB1230ZP	
	PB1230GA	

ACCESSORY	CODE	QTY
 <p>Starter Clip</p>	BSC 100	
	BSC 150	
	BSC 200	
	BSC 250	
 <p>Lock</p>	BLK 100	
	BLK 150	
	BLK 200	
	BLK 250	
 <p>Locator</p>	BLR 100	
	BLR 150	
	BLR 200	
	BLR 250	
 <p>Tie Rod Angle</p>	BTRA	
BOLTS	CODE	QTY
M12 x 30 FASCIA GALV	PBF	
M16 x 45 STD Z/P	PB1645ZP	
M16 x 45 HS Z/P	PB1645HSZP	